



Update from ISIS Muons

Muon JRA Meeting

Corsica, 27 June 2008



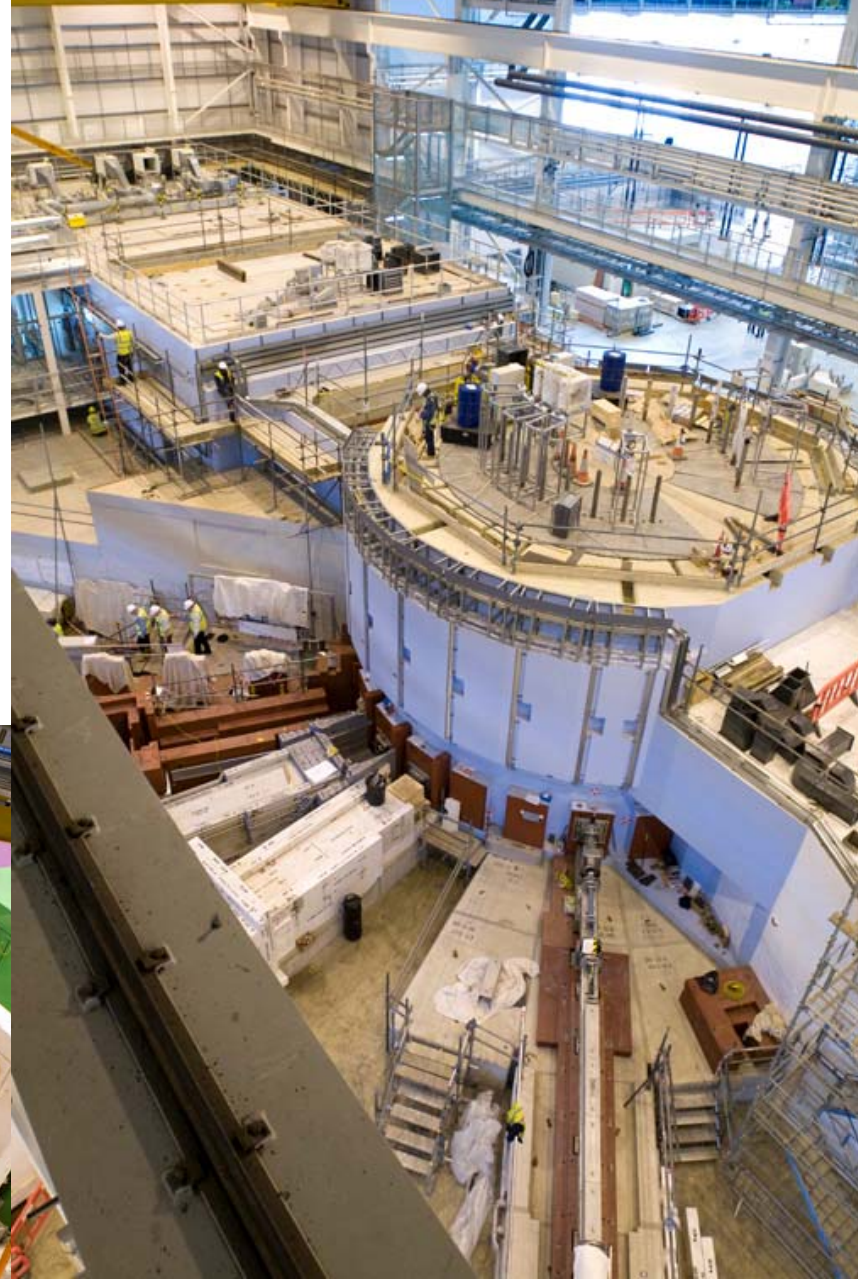
Science & Technology Facilities Council

ISIS

News from ISIS

Second Target Station:

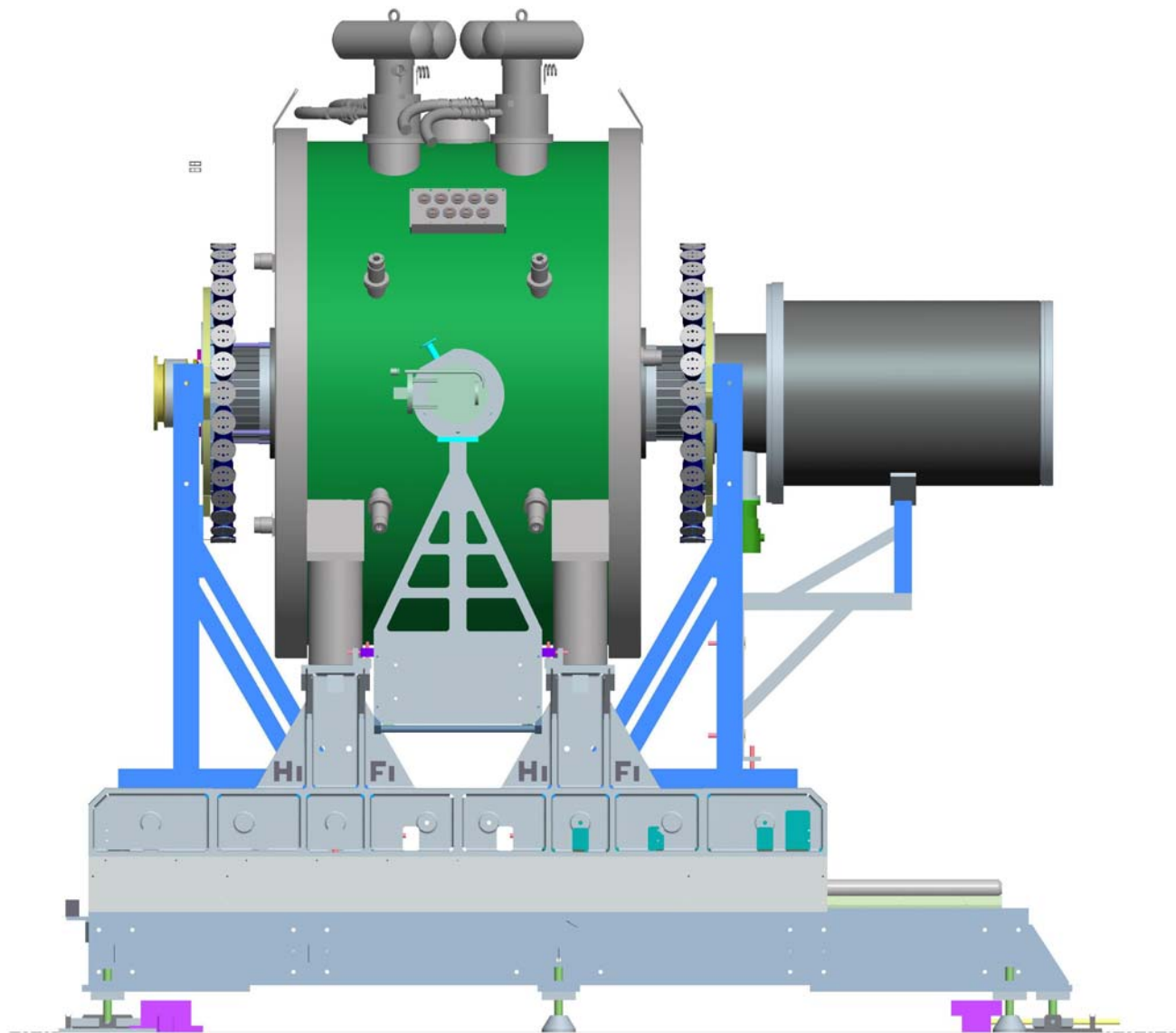
- first neutrons in July
- instruments from October
- we will shortly be running 4 pulses in 5 on TS-1



Science & Technology Facilities Council

ISIS

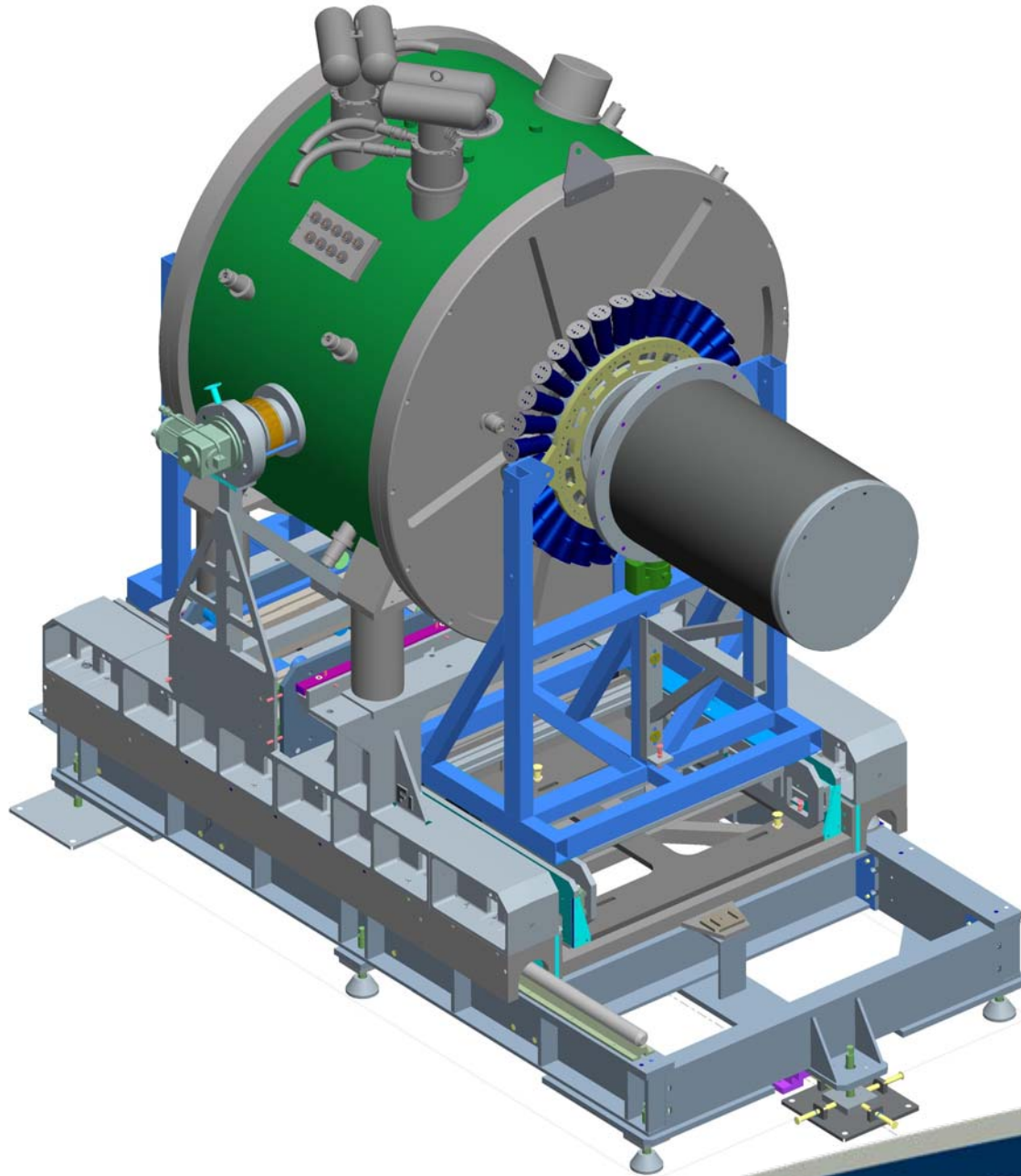
HiFi



Science & Technology Facilities Council

ISIS

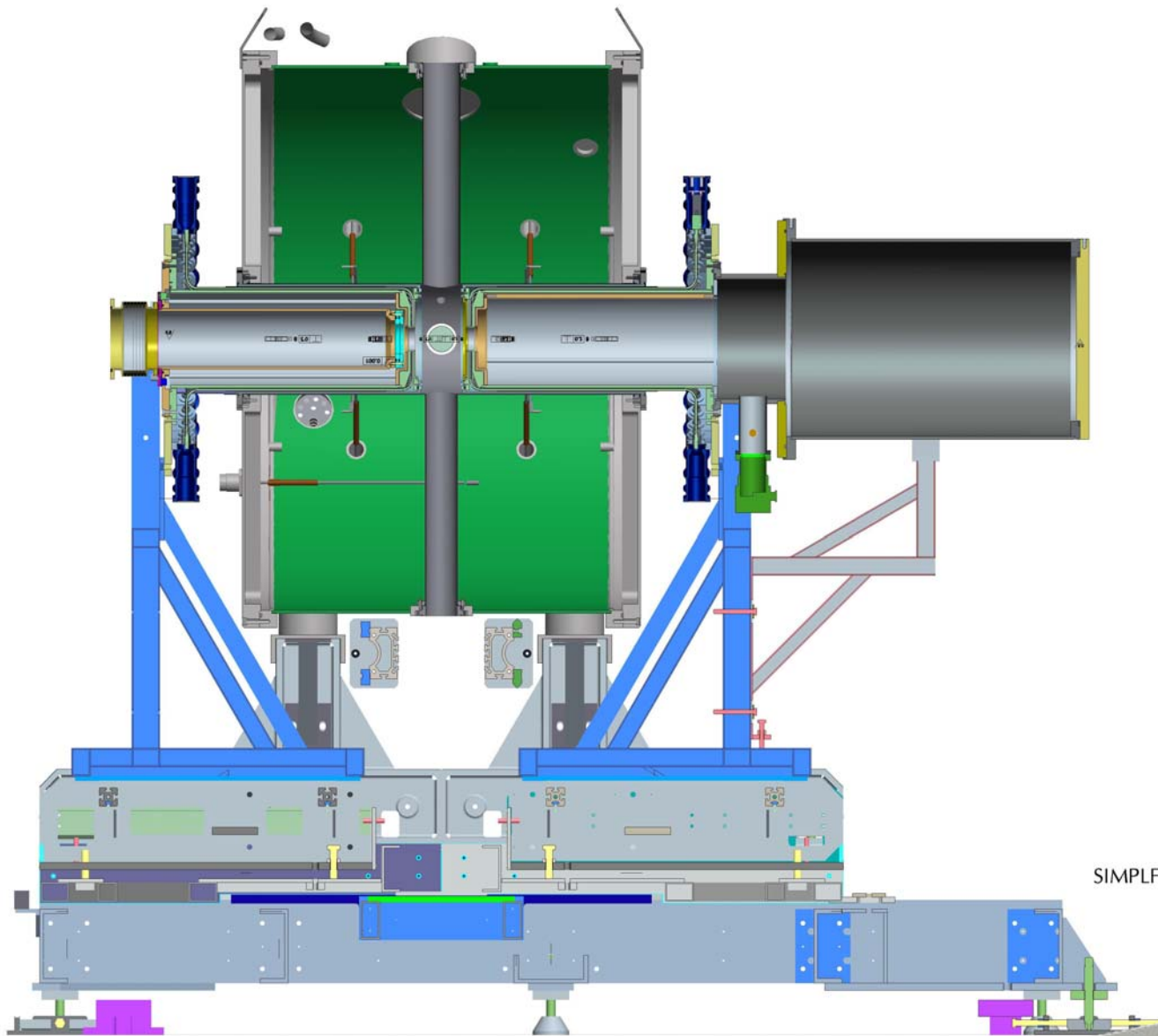
HiFi



Science & Technology Facilities Council

ISIS

HiFi



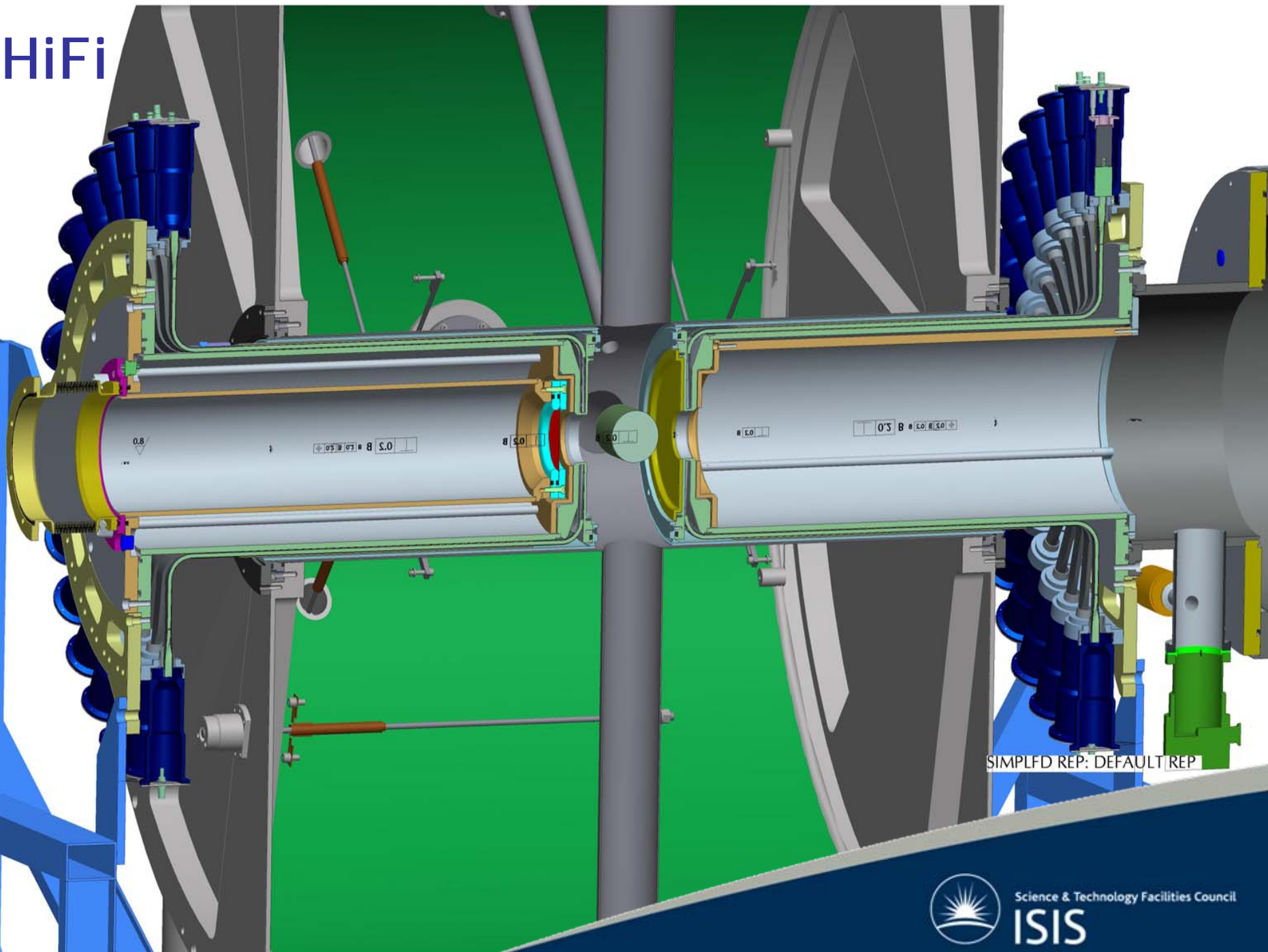
SIMPLFD REP



Science & Technology Facilities Council

ISIS

HiFi



SIMPLFD REP: DEFAULT REP



Science & Technology Facilities Council
ISIS

HiFi



Science & Technology Facilities Council
ISIS

HiFi



Science & Technology Facilities Council
ISIS

HiFi



Science & Technology Facilities Council

ISIS

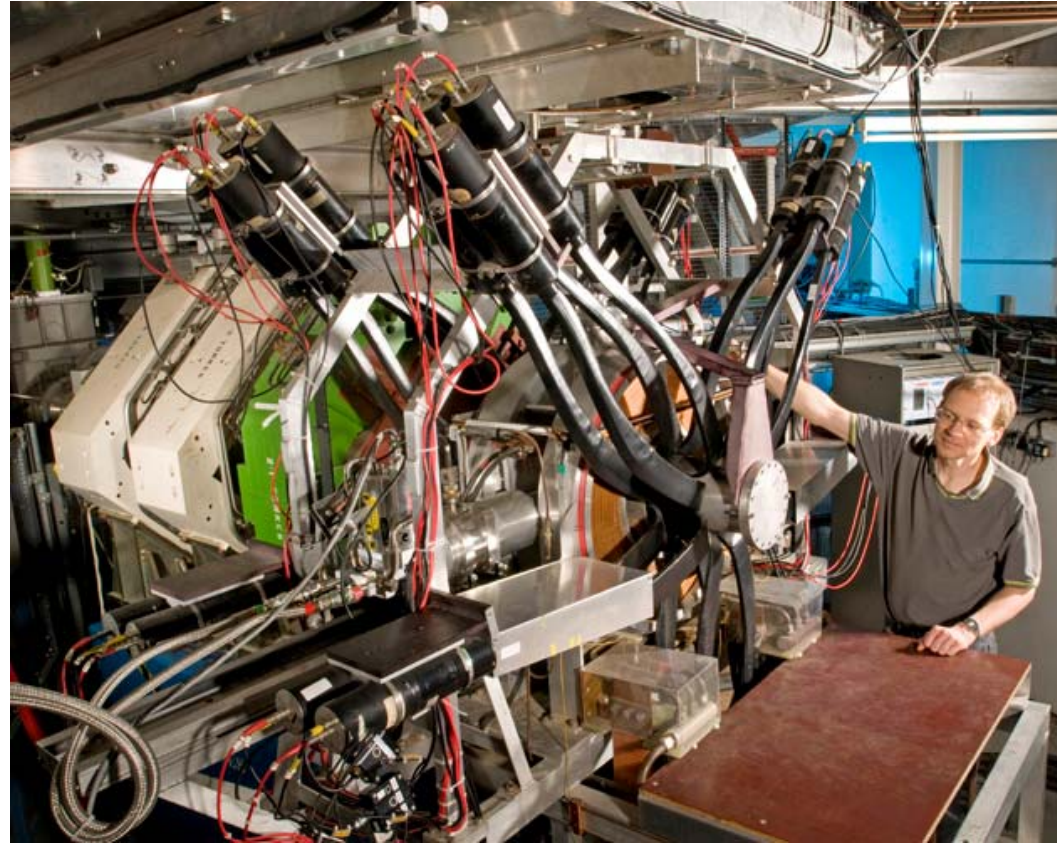
EMU

Largely unchanged since installation in 1994

Data rates will only be 16 MeV/hr once TS-2 operating

Project:

- upgrade to 96 detectors
- data rates ~60 MeV/hr
- improve cruciform for fly-past
- allow fridge / cryofurnace use
- enable laser access
- removal of beamline window



Science & Technology Facilities Council

ISIS

EMU Upgrade Plan Estimate

Revision - A

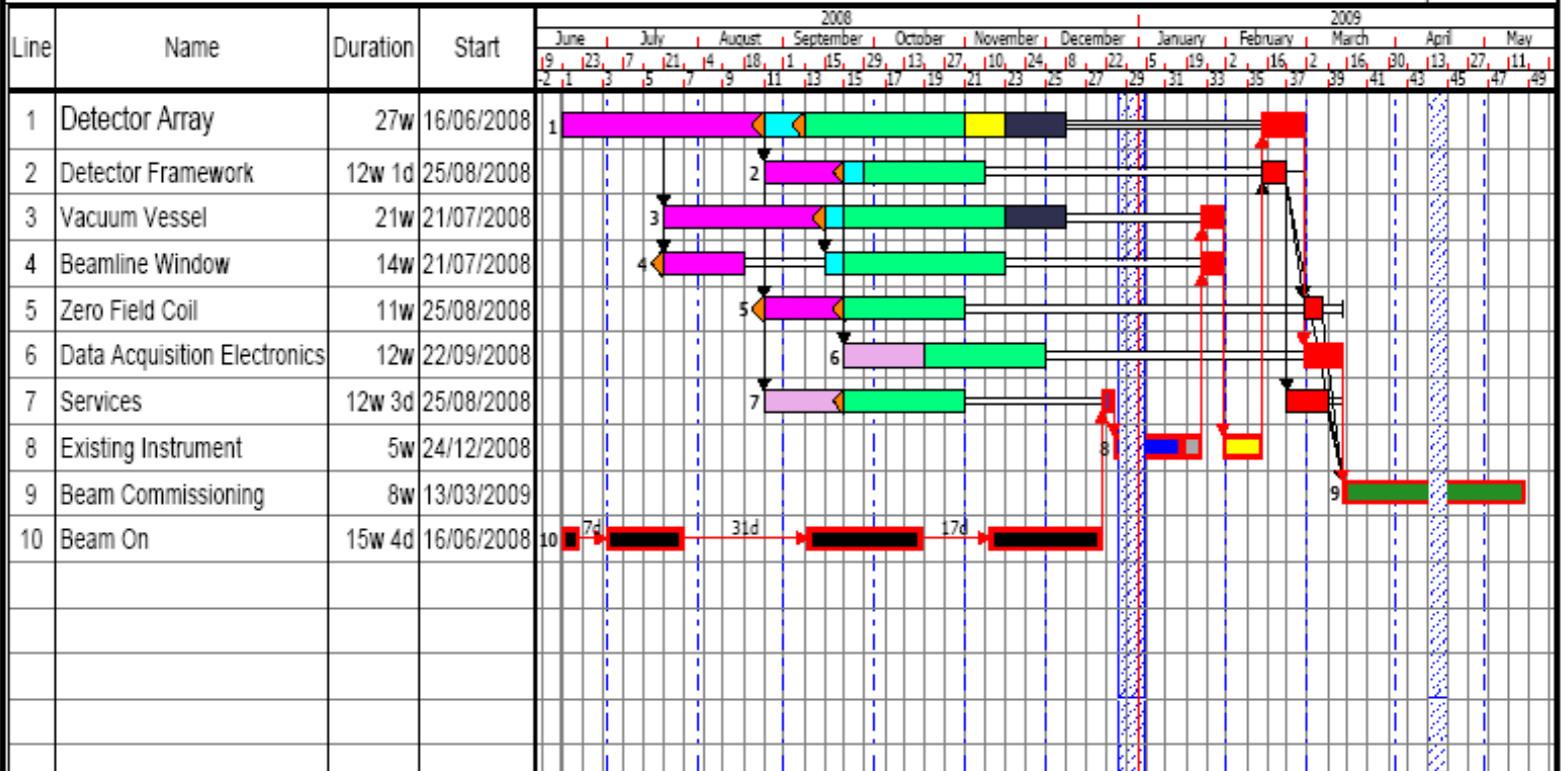
Rev-comment - Revision comment - Chart Properties

17/06/2008

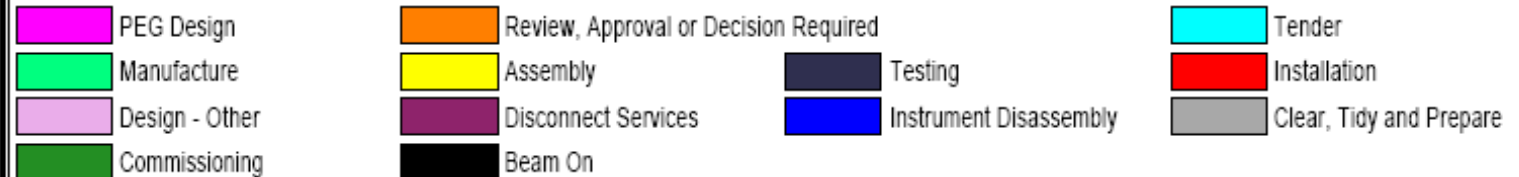
Rev-number - A

Client

Stephanie Tomlinson



Key



Drawn by: Planner - Chart Properties

Dwg No. 00001

Revision No. A

Notes: Comment - Chart Properties

Project Ref: UEM/EMU_Plan_Estimate.sp

Planned by: Aida Povejsproject



MuSR



- Already running at 50+ MeV/hr
- New rails!



Science & Technology Facilities Council

ISIS

Training Course



Science & Technology Facilities Council

ISIS

Training Course

- 21-25 April 2008
- 27 applicants
- 18 places
- 12 countries
- 5 days
- lectures, practical sessions, workshops
- lecturers from Parma, Pavia, Leeds, Salford, Oxford, PSI, ISIS
- all students had to give a short talk (with a prize)
- funded partly through our Access contract



Science & Technology Facilities Council

ISIS