

News from the LLB CEA Saclay- France

**2011 : evaluation by the AERES (French body for evaluation of research)
Report published in May 2011**

First French large scale infrastructure to be evaluated.



Conclusions

Research of high level

Good level of our instrumentation

Under-staffing

Proposal system out of age

Links with universities to be improved

Consequences

**Modification of the organization : less instrumental groups
transverse scientific groups**

New Science and Instrument Committee

Organization of user meeting (April 3rd)

Spectrometer devoted to training and education of students

CAP2015 Instrumentation program

7 projects going on (33% of our instruments suite)

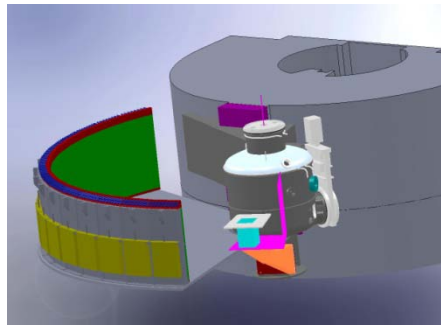
- **The new 7C2 nearly ready (liquid and amorphous diffractometer)**
- **90% of the new 6T1 (texture and strain scanner) delivered and installed**
- **PHR (high resolution powder diffractometer) all components ready**
- **SANS PA20 : Paxe to be stopped this summer, PA20 casemate and collimator to be installed by the end of the year**
- **Fa# : monochromator to be ordered this year**
- **Muses : restart operation with new home made RF-coils, design of curved coil for multi-Muses in good way**
- **New sample to detector part of the Eros reflectometer will be ordered this year**

One spectrometer devoted to training and education : G43



CAP2015 Instrumentation program

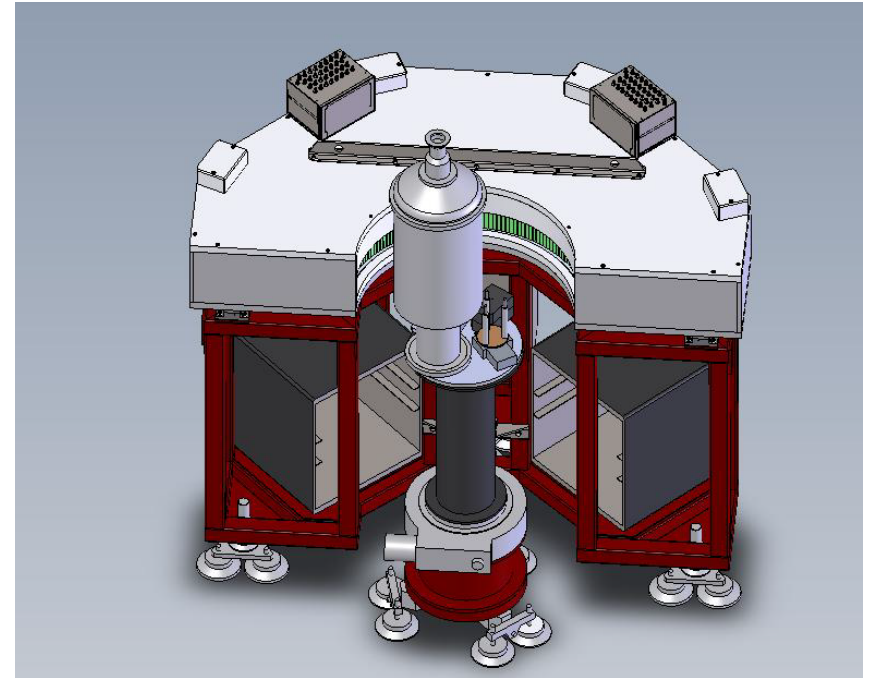
- **The new 7C2 nearly ready (liquid and amorphous diffractometer)**



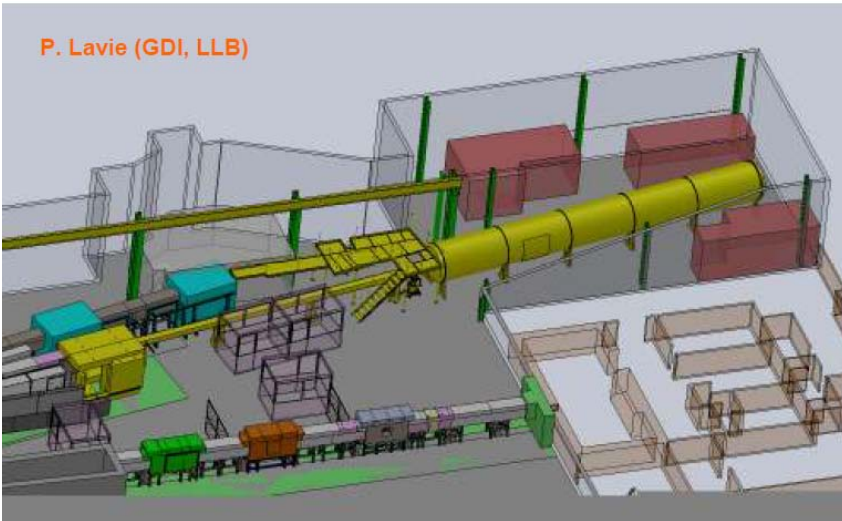
- **90% of the new 6T1 (texture and strain scanner) delivered and installed**

CAP2015 Instrumentation program

- **PHR (high resolution powder diffractometer) all components ready. Will be installed in G44.**



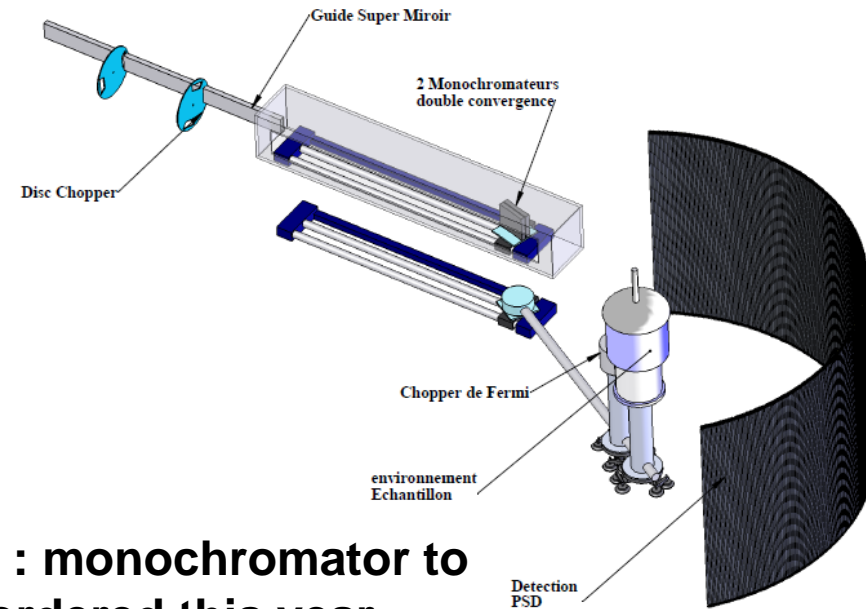
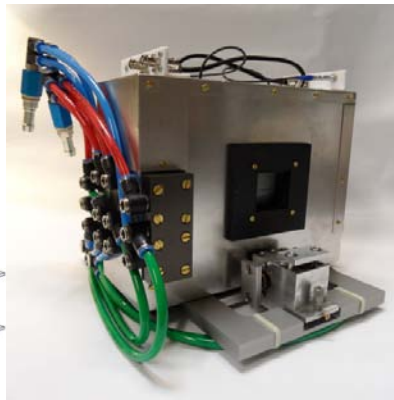
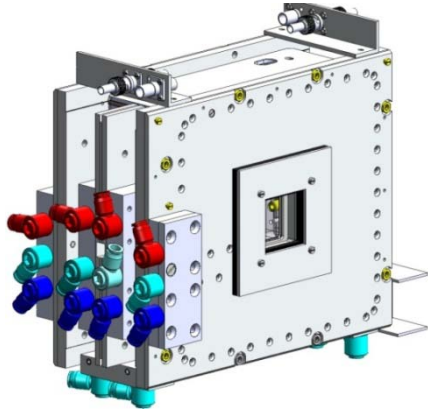
P. Lavie (GDI, LLB)



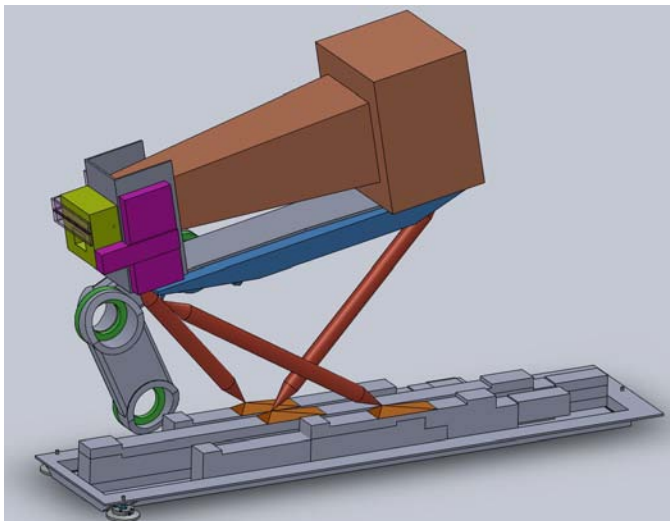
- **SANS PA20 : Paxe to be stopped this summer, PA20 casemate and collimator to be installed by the end of the year**

CAP2015 Instrumentation program

- **Muses : restart operation**



- **Fa# : monochromator to be ordered this year**



- **New sample to detector part of the Eros reflectometer will be ordered this year**

Orphee reactor



- 170 running days expected in 2012, 180 days in 2013
- Cold sources replacement nearly completed
- Change of the 9F thimble this year
- Safety re-assessment done (final report of the “Groupe Permanent” on october 23th 2010), but official letter from the safety authorities still not received
- Preparation of the post-Fukushima evaluation : report to be given mid-September 2012

